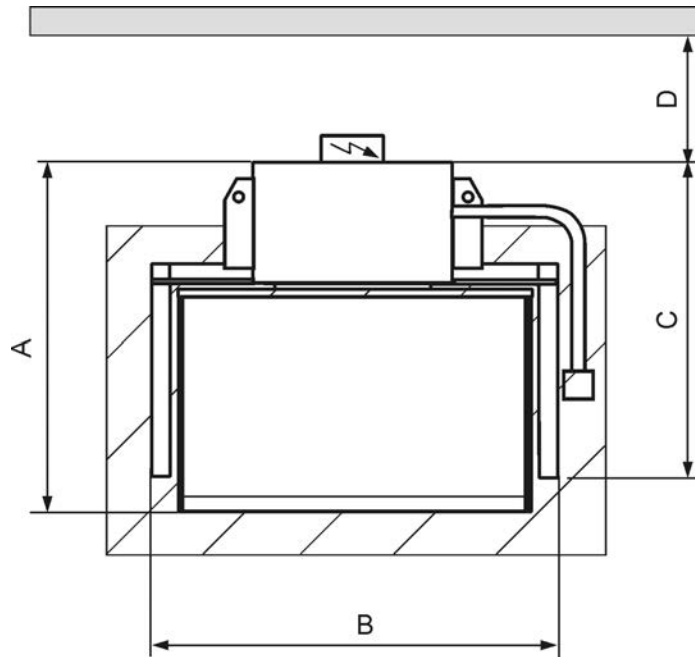


# STACKLIFT

## Technical Data



	450 - 2	1200 - 4	1200 - 6	2000 - 7S
<b>A (mm)</b>	1045	1275	1530	1740
<b>B (mm)</b>	106	1430	1690	1900
<b>C (mm)</b>	920	1200	1400	1720
<b>D (mm)</b>	800	800	800	800
<b>Weight (kg)</b>	450	570	700	1200
<b>Carrying capacity, max. (kg)</b>	450	1200	1200	2000
<b>Size (mm)</b>	600 x 860	800 x 1200	1050 x 1450	1200 x 1650
<b>Clear opening of platform (mm)</b>	620 x 900	840 x 1270	1090 x 1520	1240 x 1790
<b>Height (mm)</b>	1500	1500	1500	1640
<b>Total height (lift in upper position, mm)</b>	1960	1960	1960	2120
<b>Lifting height, max. (mm)</b>	850	850	850	900
<b>Power required (kW)</b>	0,75	0,75	0,75	1,5
<b>Fuse (A)</b>	10	10	10	10

The wire cross section of the main power supply according to the countrys regulations. Same regulations according the plug connectors.

### Safety range

The safety range below the load carrying device and an additional area of 30 cm to the sides and to the front has to be marked in black and yellow (not included in the scope of supply).

### Hydraulic data

Hydraulic working pressure: 150 bar!

Hydraulic unit is constructed for a maximum permissible pressure of 200 bar.