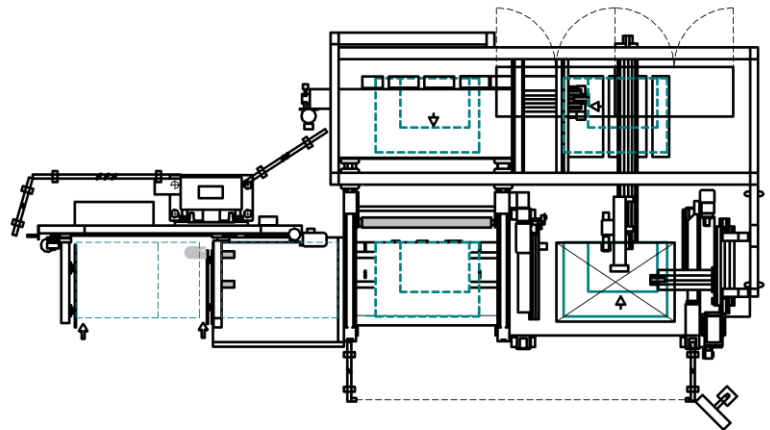


precisely prepares cutting material in stacks outside the high-speed cutter, determines the quantity and marks the individual reams with chips.



Customer benefits

- Optimized workflow by separating the material preparation and cutting processes
- High productivity of up to 20,000 sheets per hour with minimum staff required
- Perfect preparation of reams by positioning the material in the automated jogger with precisely aligned edges and careful material transport
- Prevents additional work cycles, because counting of sheets is integrated into the process
- Consistent stacking quality allows immediate processing in the cutting system

Description of JoggingSystem AJR

The POLAR jogging system is first of all used for compensating different work cycles for material preparation and cutting. The preparation of the material is often done much faster than the cutting. This means that one jogging station is capable of supplying several cutting systems.

The POLAR Autojog XT automates the ream preparation, from separating the untrimmed stack into part-reams through to jogging and the completely cut ream. The precise determination of the quantity of sheets is integrated into this process and done with the untrimmed stack. A counting head is used for counting the preset quantity and lifting the part-ream so that it can be taken off the untrimmed stack by means of the draw-in pallet and the draw-in gripper. Transport and pushing grippers convey the partial ream to the fanning unit where it is fanned out by the patent-registered two-roller system. On the automatic jogger the material to be cut is positioned with precisely aligned edges. This forms the foundation for a high quality of the final product. The air removal feature again improves the formation of blocks from the reams to be cut and reduces the production risks.

When the jogging is completed, a gripper pulls the ream out of the automatic jogger and places it on the transport pallet of the Transomat unit. The Transomat automatically deposits the cutting ream on a pallet. The individual reams are separated by automatically inserted chips.

Available formats

Diagonal [cm]		Autojog XT (AJ)	Transomat (T)
100 × 145	177	AJR-7S	RSL 160-6
120 × 164	204	AJR-7S	RSL 160-7S

The technical data of the individual components are available for download on our website.